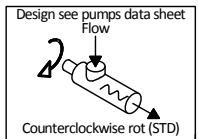
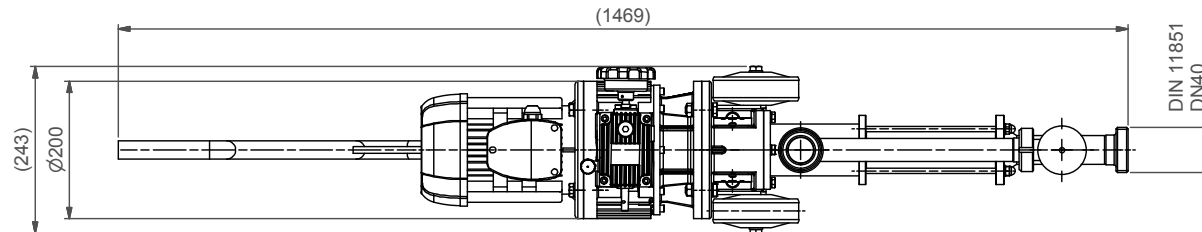
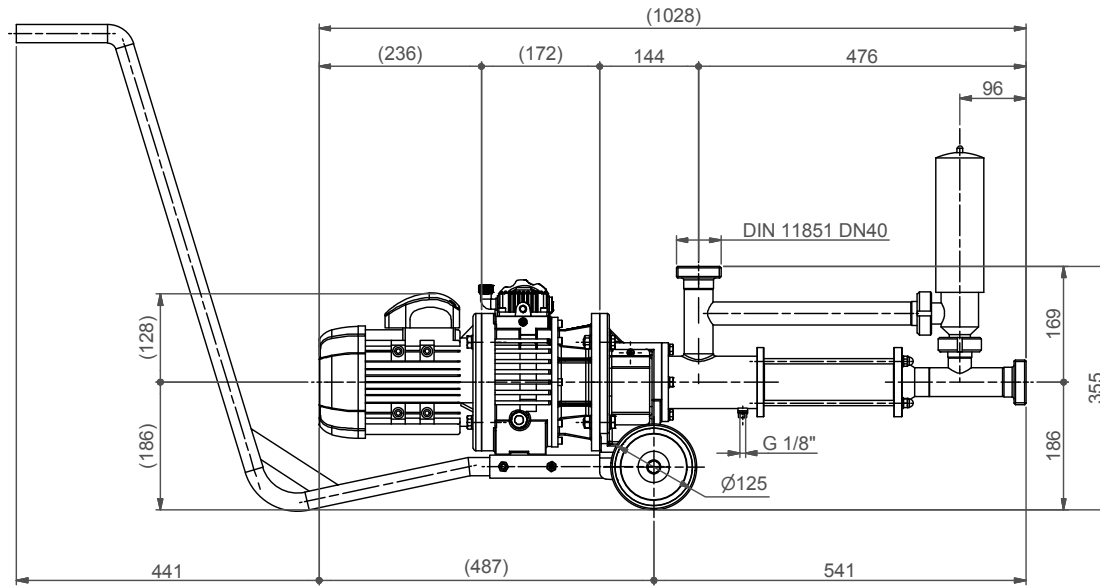
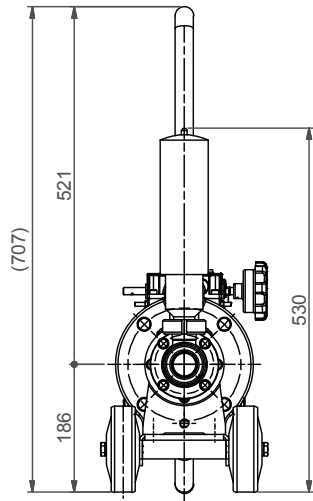


C.W.M. S.R.L.



Replacement for:		Replacement by:	
TYPE: M30-1		Drawn:	Scale: 1:11
Denomination:		Date:	Weight: 65 kg
Dimensional Drawing		Check: GM	
		Date: 28/12/2013	
		<i>General Tolerances ISO 2768-v</i> <i>Geometrical tolerance and roughness ISO 1302</i>	